

Service  
Service  
**Service**



# Service Manual

MCS240 is classified as an exchange model.  
This manual only gives some diagrams for  
basic repair in some regions.



## TABLE OF CONTENTS

- Service partslist.....2
- Wiring diagram .....3
- Radio board
  - circuit diagram.....4
  - layout diagram.....5
- Key & Display board
  - circuit diagram.....6
  - layout diagram.....6
- Main board
  - circuit diagram (Power Amp).....7
  - circuit diagram (CD) ..... 8
  - layout diagram (Top side).....9
  - layout diagram (Bottom side) .....10



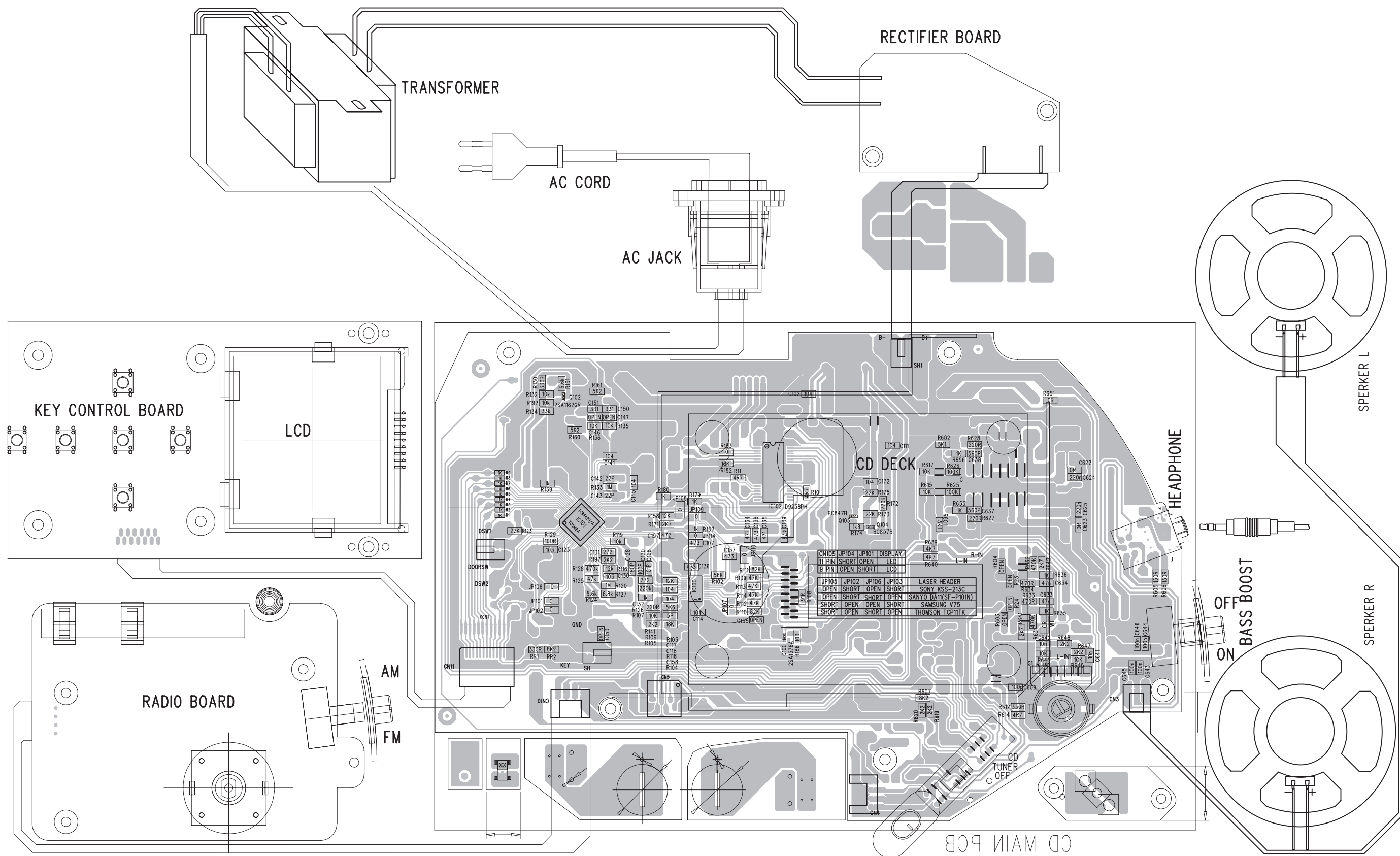
© Copyright 2005 Philips Consumer Electronics B.V. Eindhoven, The Netherlands  
All rights reserved. No part of this publication may be reproduced, stored in a retrieval  
system or transmitted, in any form or by any means, electronic, mechanical, photocopying,  
or otherwise without the prior permission of Philips.



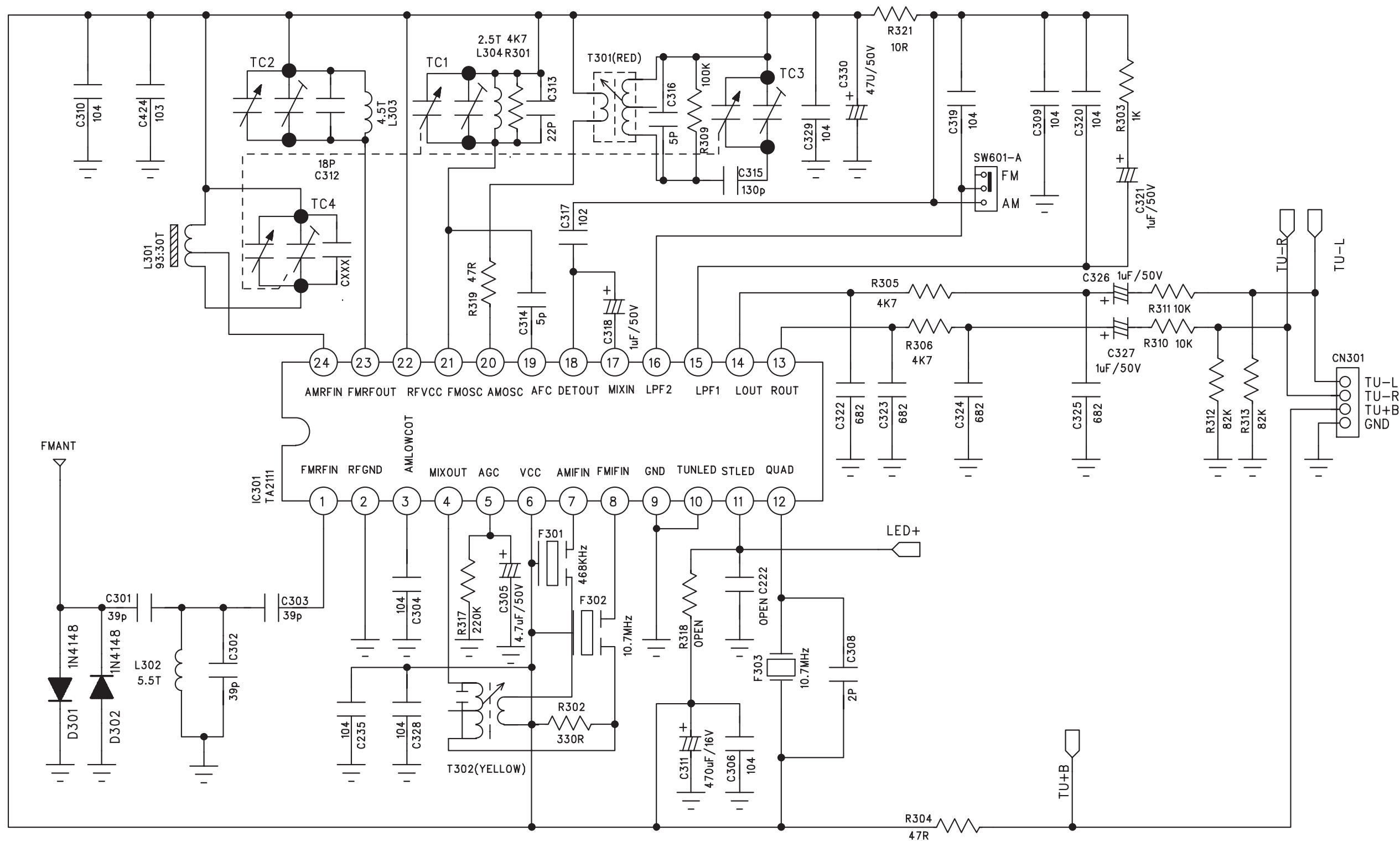
**SERVICE PARTSLIST**

9940 000 03619	HANDLE AZ1022
9940 000 03621	HANDLE HINGE (L) AZ1022
9940 000 03622	HANDLE HINGE (R) AZ1022
9940 000 03623	ROD ANTENNA AZ1022
9940 000 03624	BATTERY DOOR AZ1022
9940 000 03625	CD DOOR MCS240
9940 000 03626	CD DOOR SPRING AZ1022
9940 000 03627	CD DECK DA11B3VF (SANYO)
9965 000 16882	CUSHION 658PG (BLACK)
9965 000 16883	CUSHION 658PH (GREY)
9940 000 03628	SPEAKER 3 1/2" 8 OHM 2W
9940 000 03629	BAND SWITCH : SST-63D01-G9-NS
9965 000 13705	TACT SWITCH : DT4113C
9940 000 03631	VOL CONTROL R1411GUXVIB503FP
9965 000 17021	TRANSFORMER T41-0586
9940 000 00553	VDE POWER CORD SET

WIRING DIAGRAM



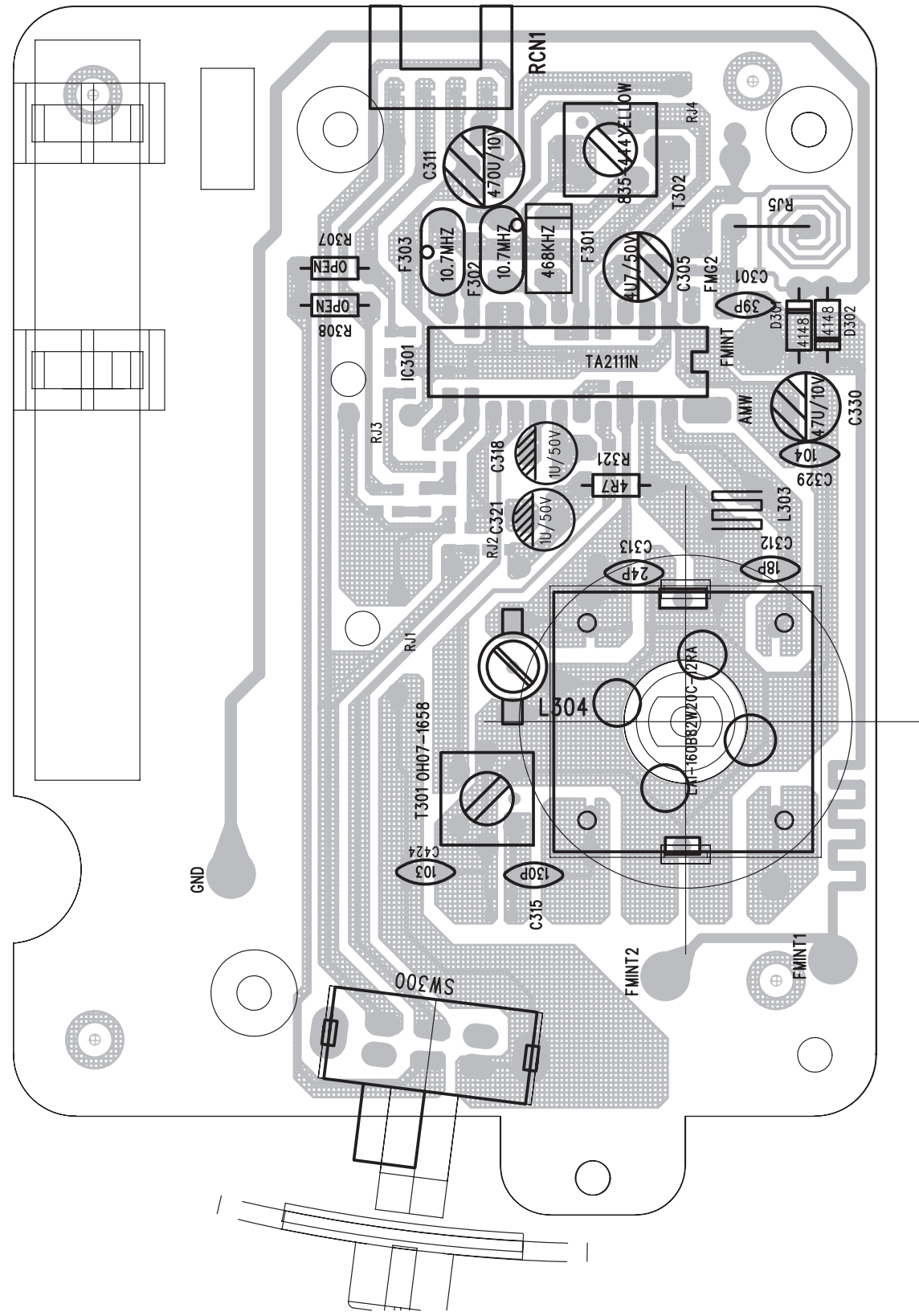
# CIRCUIT DIAGRAM - RADIO BOARD



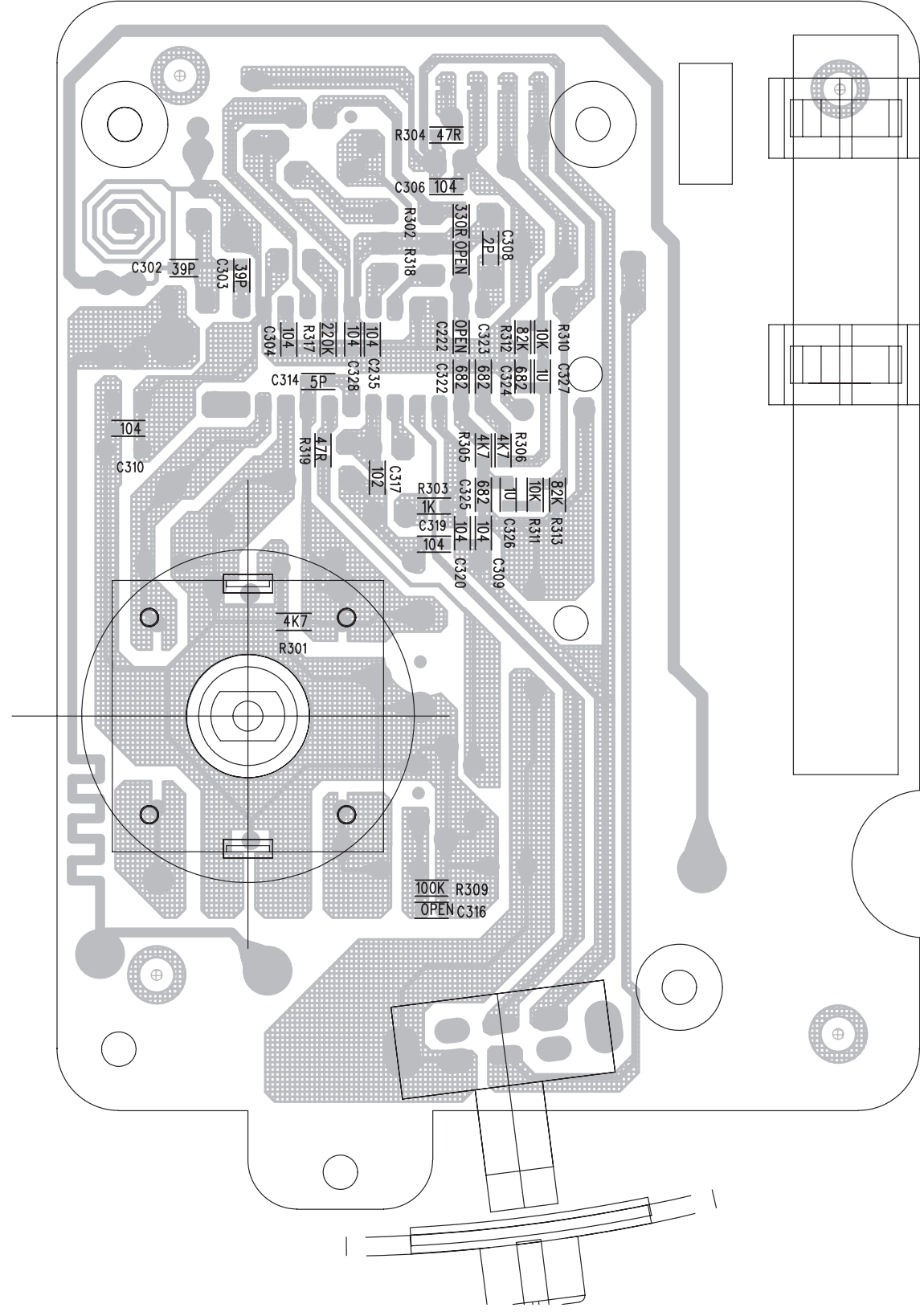
	C322,C323	C324,C325
/17 /37	103	822
OTHERS	153	103

LAYOUT DIAGRAM - RADIO BOARD

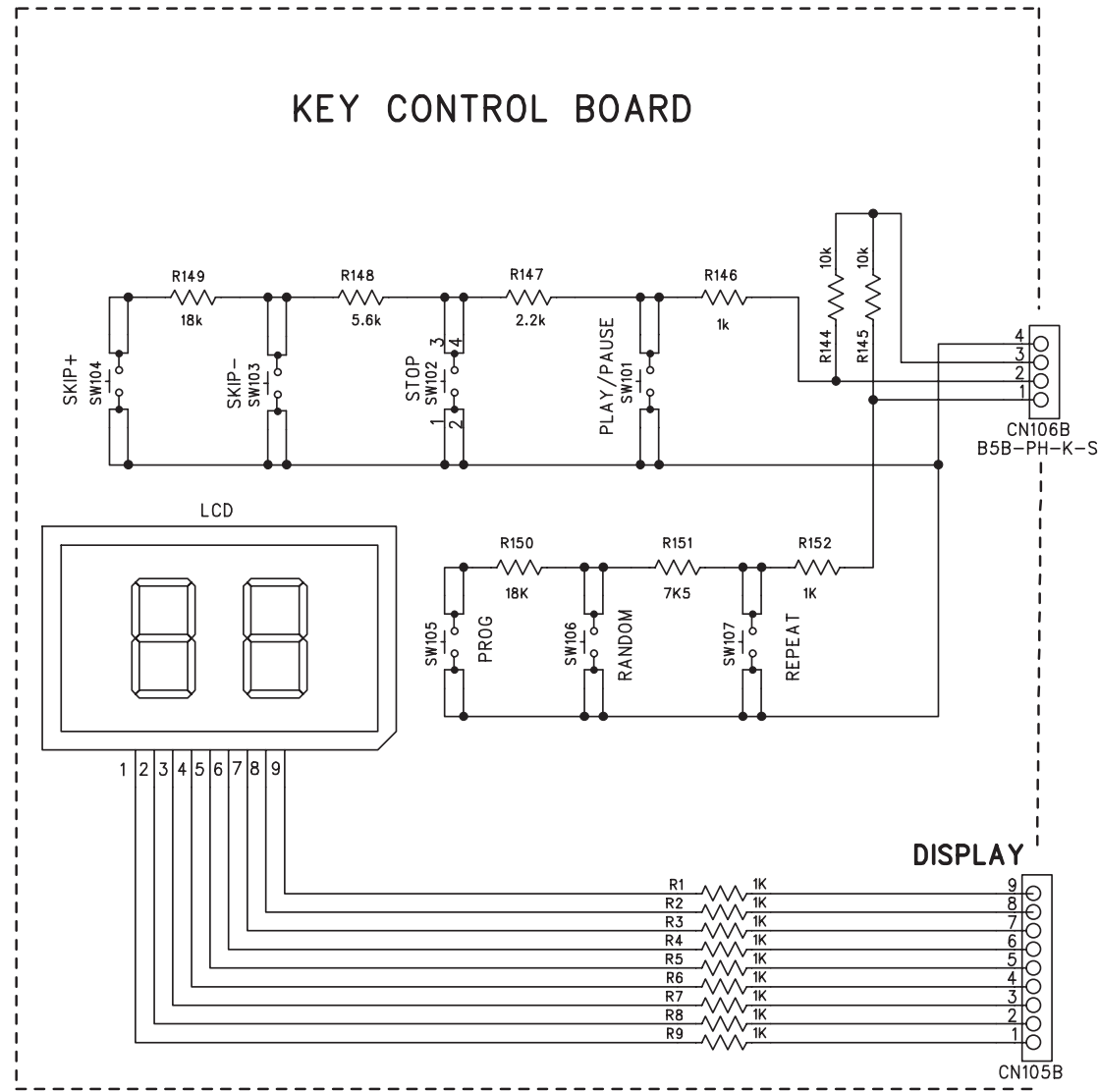
Top Side



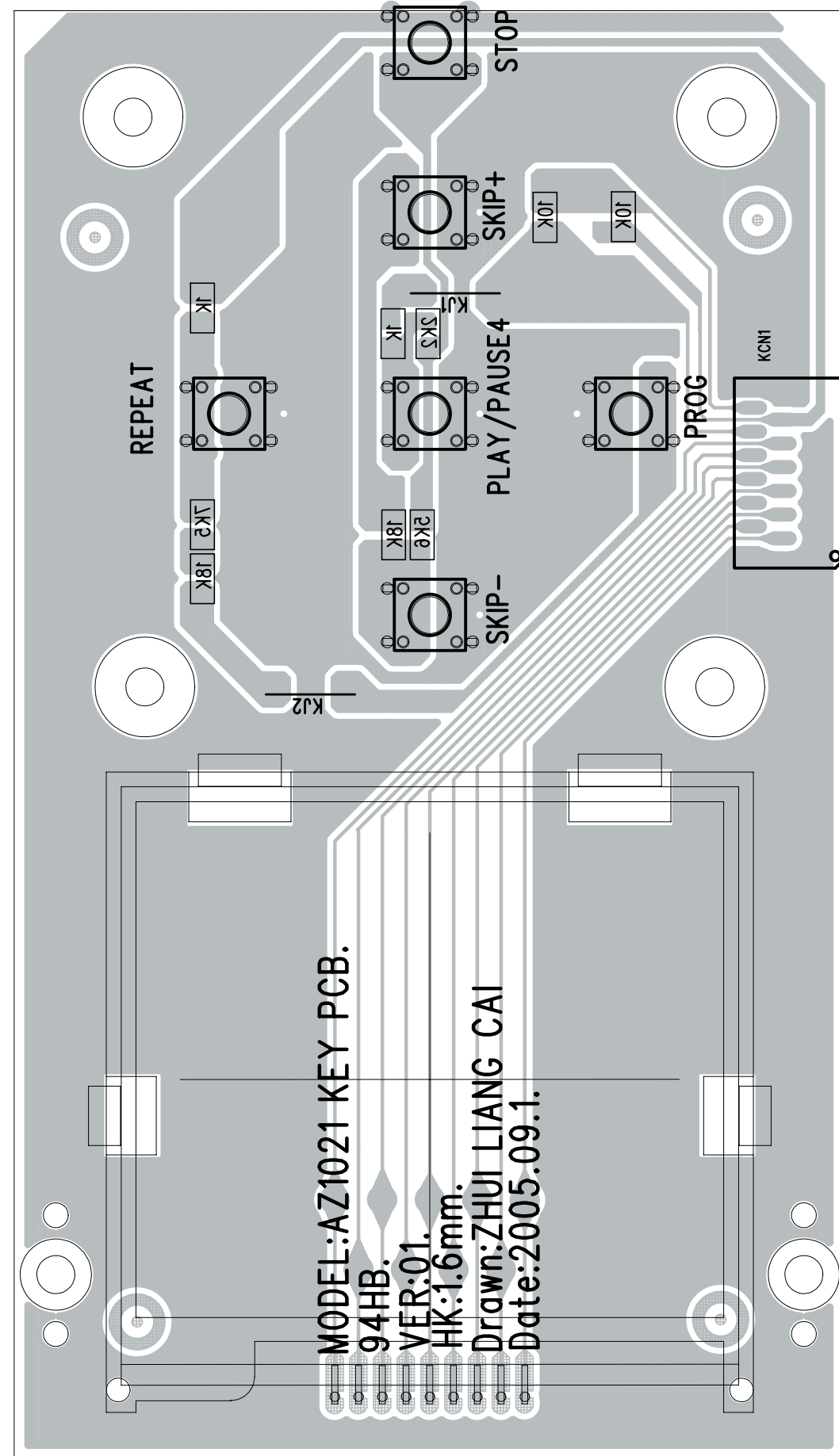
Bottom Side



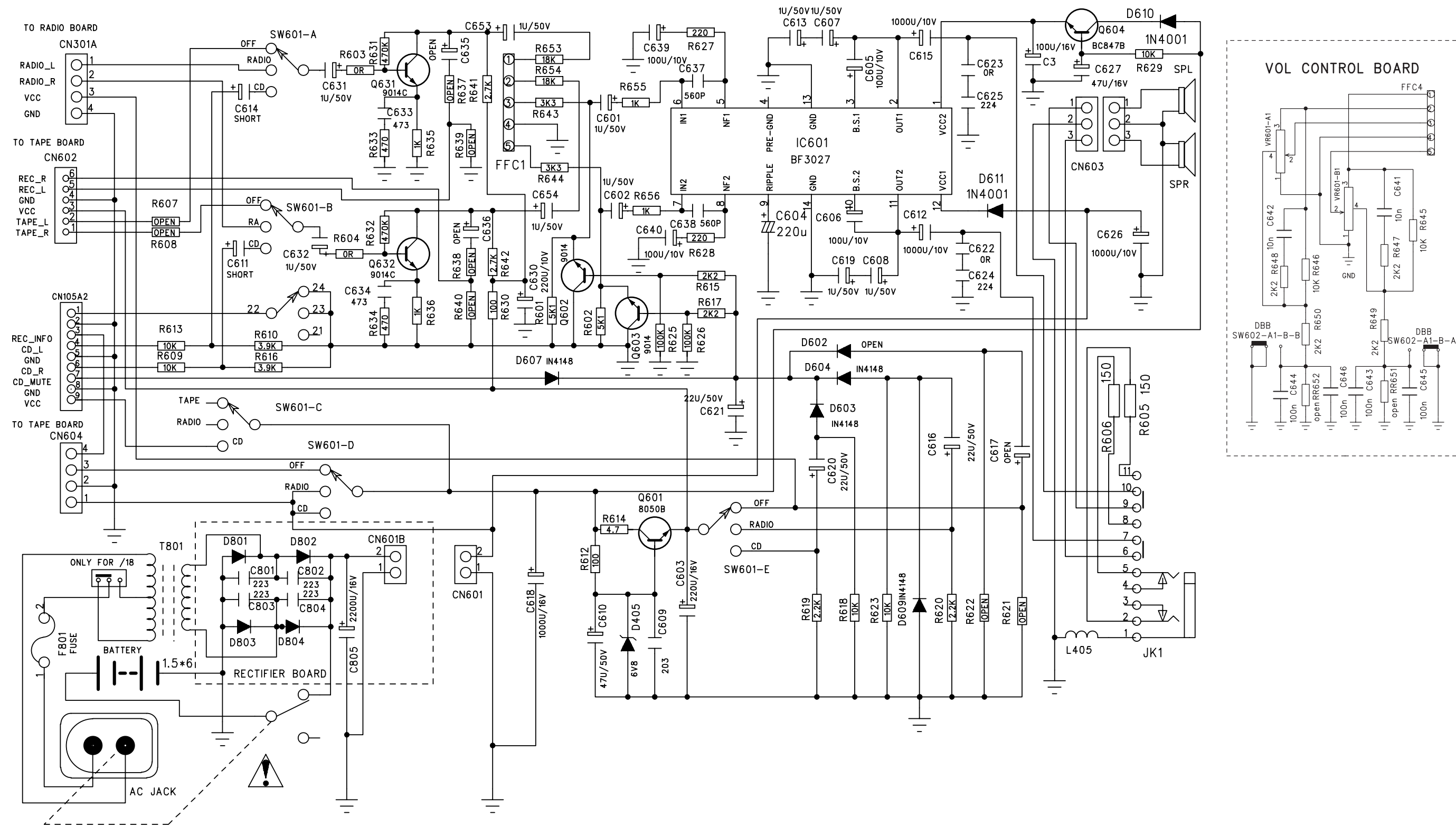
CIRCUIT DIAGRAM - DISPLAY / KEY BOARD



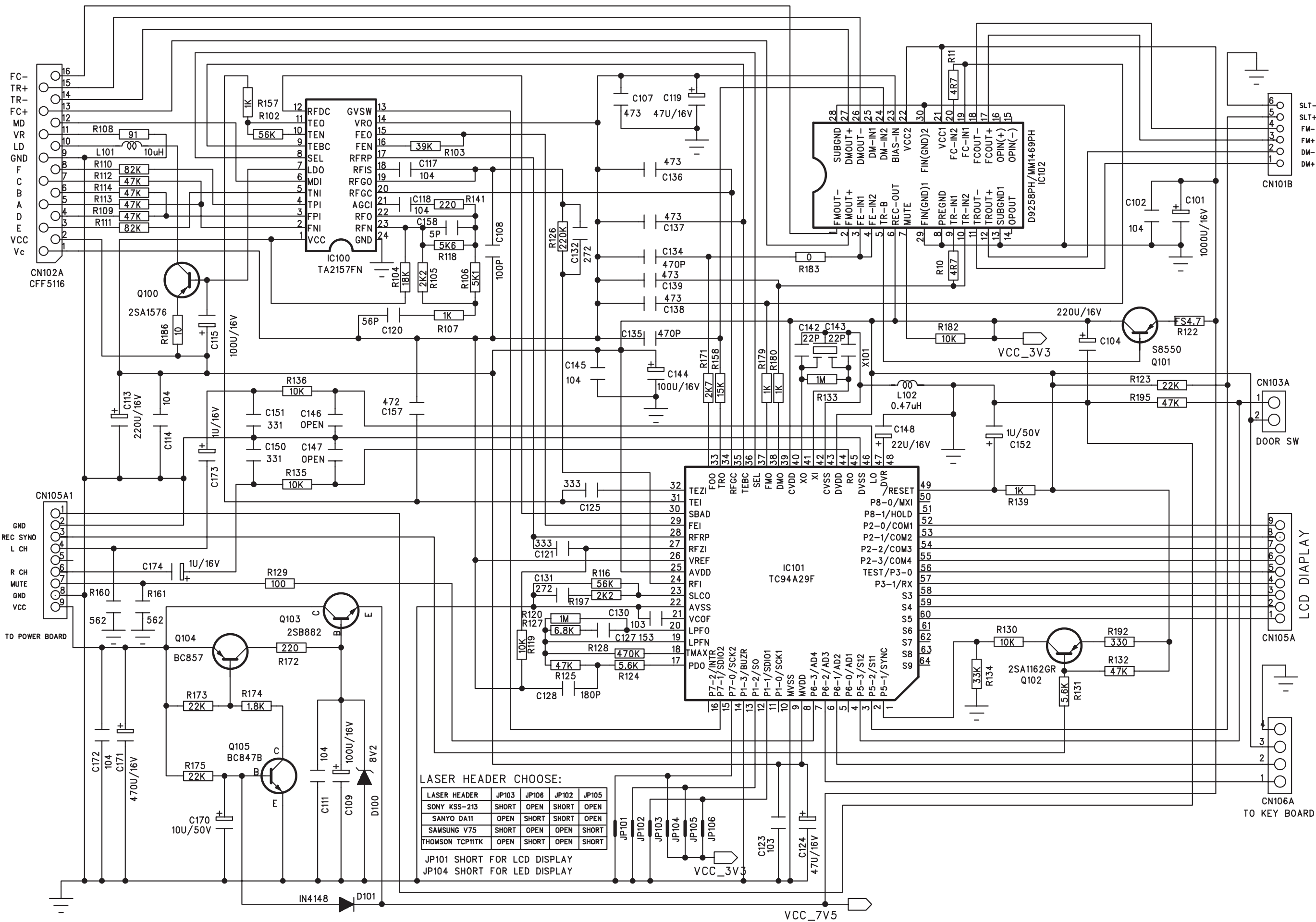
LAYOUT DIAGRAM - DISPLAY / KEY BOARD



# CIRCUIT DIAGRAM - POWER AMP BOARD

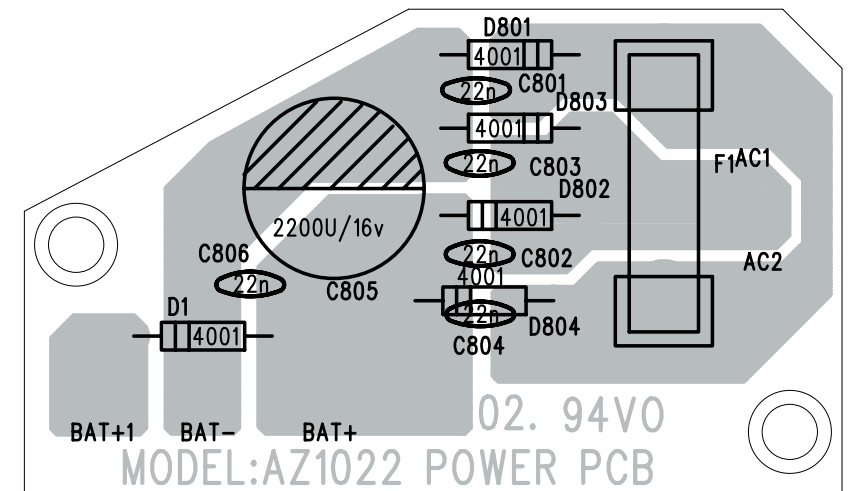
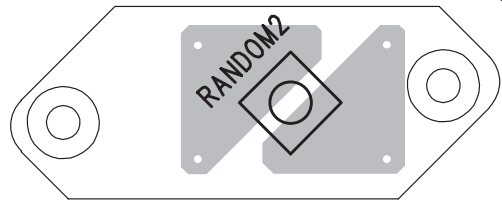
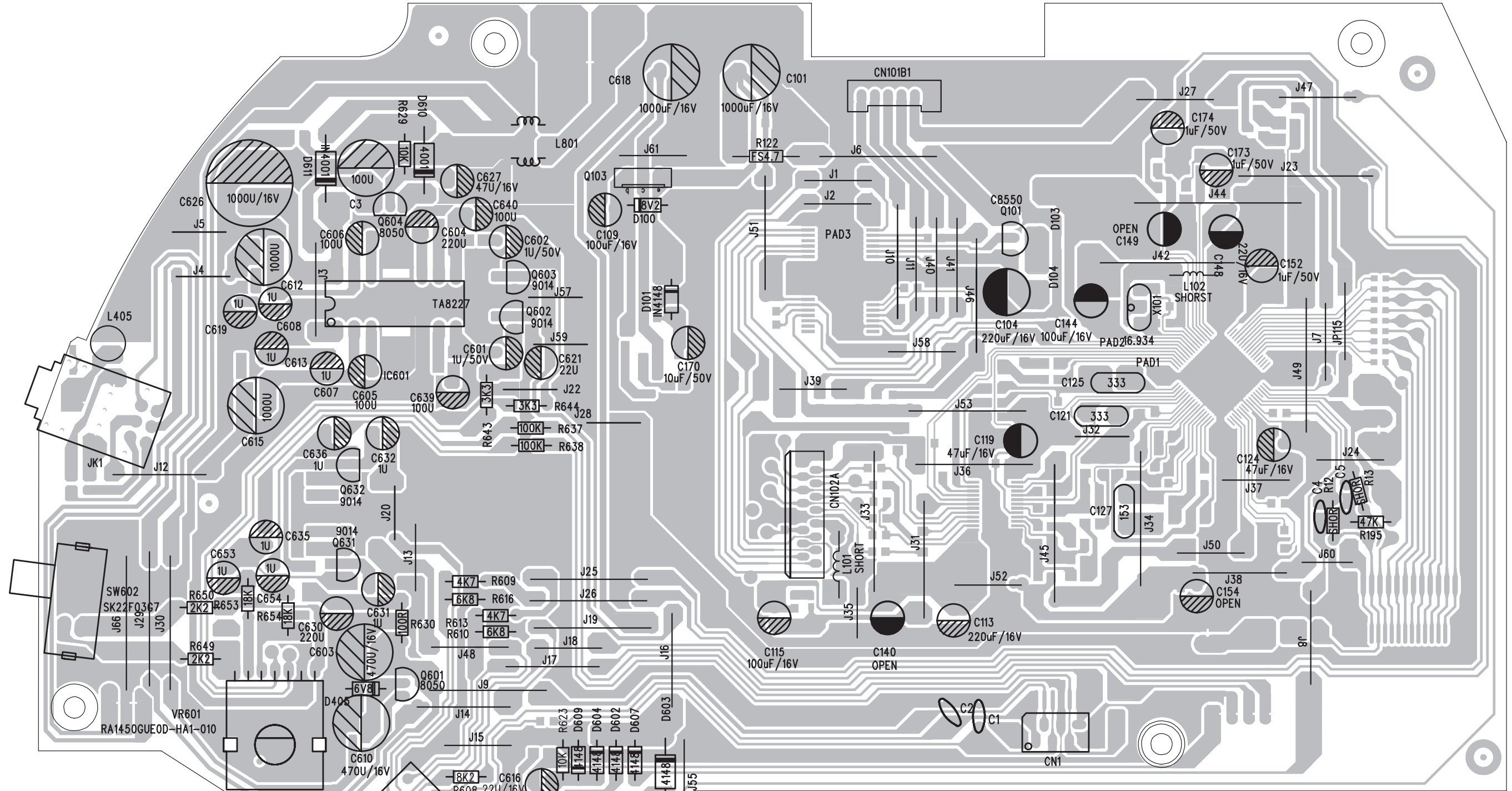


CIRCUIT DIAGRAM - CD





LAYOUT DIAGRAM - MAIN BOARD (TOP VIEW)



LAYOUT DIAGRAM - MAIN BOARD (BOTTOM VIEW)

